

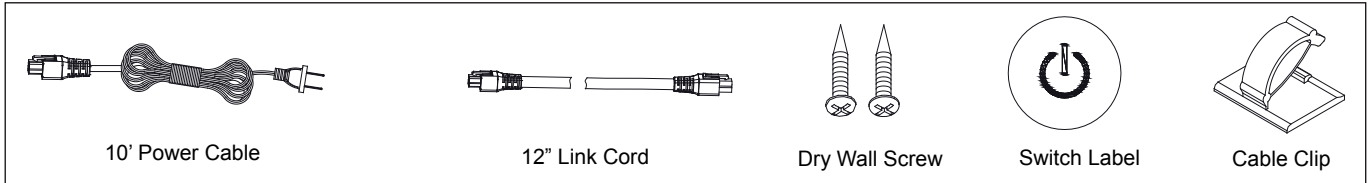
ASSEMBLY AND INSTALLATION INSTRUCTIONS

X0035 / X0036 / X0037 / X0038 / X0039 / X0040

WARNING: TO AVOID RISK OF ELECTRICAL SHOCK, BE SURE TO SHUT OFF POWER BEFORE INSTALLING OR SERVICING THIS FIXTURE.

NOTE: 1. Before installing, consult local electrical codes for wiring and grounding requirements.
2. READ AND SAVE THESE INSTRUCTIONS.

Hardware Package (included):



Important to Know

1. Read all instructions carefully before installation and operation.
2. If you are not familiar with state and local electrical codes, it is recommended that you consult with a qualified electrician.
3. Units can be linked together in series from one power supply. Link up to 7 x 8" bar lights (#X0035 or X0036) together, link up to 5 x 16" bar lights (#X0037 or X0038) together, link up to 3 x 21" bar lights (#X0039 or X0040) together, or link combination of sizes together.
4. Do not use in wet locations, use indoors only.
5. Non-replaceable LEDs.
6. Caution: LEDs emit bright light. Avoid looking directly into the light source for prolonged periods to avoid eye damage.
7. Specification:

NO.	Item #:	Dimension(inch)			Total Watts
		A	B	C	
1	X0035/X0036	8	2.75	0.75	8
3	X0037/X0038	16	2.75	0.75	12
5	X0039/X0040	21	2.75	0.75	15

The diagram shows a top view of the light fixture units with dimensions A (length), B (height), and C (depth). A side view shows the depth dimension C. The units are shown in a row, with dimension A spanning the length of the row.

Important safety instructions.

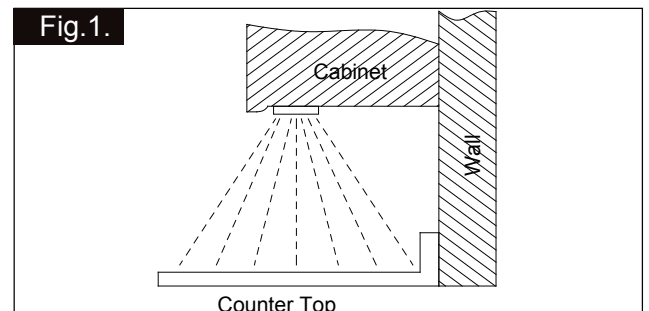
1. Never use with an extension cord unless plug can be fully inserted.
2. Do not alter the plug.
3. Do not attempt to install fixture while it is plugged in.

Installation Steps

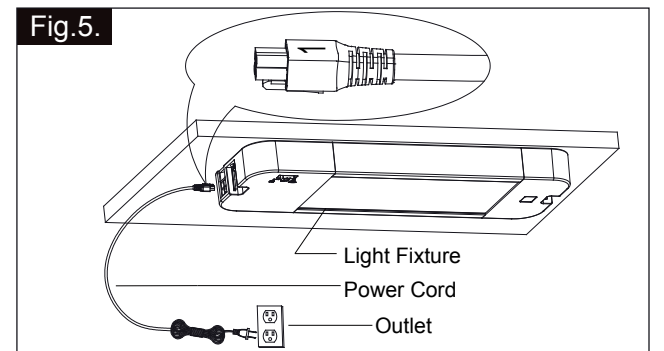
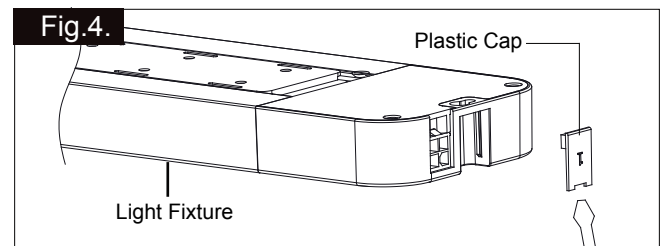
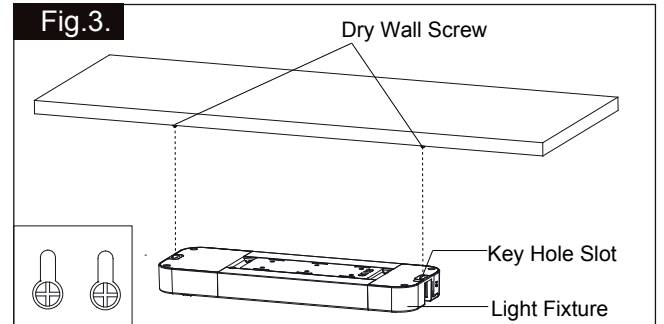
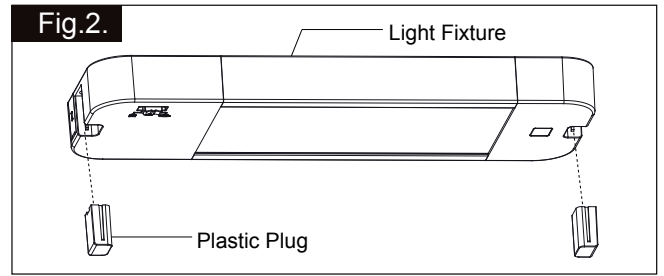
Turn off the power at fuse or circuit box.

1. Find a suitable location to mount the fixture, make sure that your 10 ft. power cord will reach the nearest electrical outlet. The mounting surface should be a minimum of 1/2" thick.

Note: The recommended mounting position for under-cabinet use is towards the front edge of the cabinet. This provides even light distribution across the countertop surface (as shown in Fig. 1).



2. Remove the plastic plug on each side of the cabinet light.
(See Fig. 2)
3. Place the light fixture against the mounting surface in the desired position and mark the location of the two key hole slots. Remove the light fixture from the mounting surface. Pre-drill holes in the mounting surface according to marks. Secure the dry wall screws to the cabinet. (Do not over tighten screws). The dry wall screw heads should protrude approximately 1/8" (3.2mm) beyond surface to fit securely into key hole slots. (See Fig. 3)
4. Attach the light fixture to the cabinet by inserting two dry wall screw heads into the key holes, and sliding the light fixture until it is locked in place. Tighten the dry wall screws if necessary. (See Fig. 3)
5. Use a small flathead screwdriver or other similar tool to pry off the plastic cap (marked 1) in order to connect the power cord. (See Fig. 4)
6. Attach the link connector end of the power cord to the receptacle (exposed by removal of the plastic cap) on the light fixture. Plug the polarized power cord into a 120VAC 60HZ outlet. (See Fig.5)



NOTE:

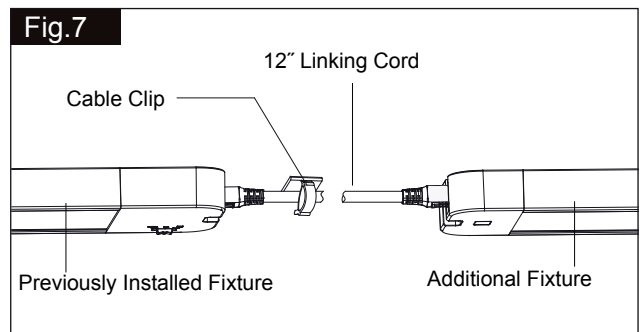
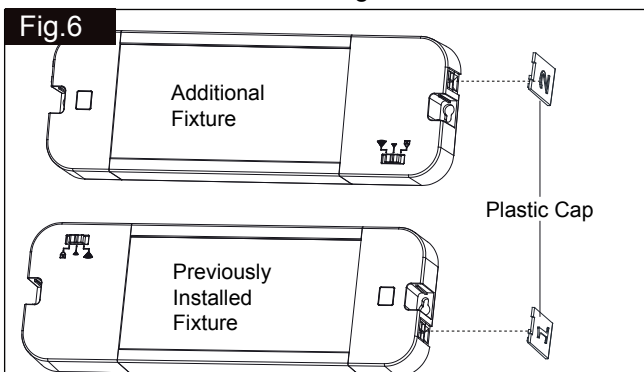
1. The power cord (10 feet) has a plug on one end and a link connector (which is marked 1) at the other end.
2. The link connector will only plug into one end correctly. Do not try to force it into the wrong receptacle as this could cause damage to the fixture.

Turn on the power at fuse or circuit box.

Linking Multiple Fixtures:

Light fixture units can be connected together in series using the included 12 inch linking cord.

- a. Remove the plastic caps (labeled 1 on the previously installed fixture and labeled 2 on the additional fixture) from light fixtures before installing. (See Fig.6)
- b. Units can be linked together in series from one power supply. Link up to 7 x 8" bar lights (#X0035 or X0036) together, link up to 5 x 16" bar lights (#X0037 or X0038) together, link up to 3 x 21" bar lights (#X0039 or X0040) together, or link combination of sizes together.



Each additional fixture (not included) should be mounted in the same way as the first installed fixture. Once installed, attach the linking cord between the previously installed fixture and the newly added fixture via the input receptacles.

Make sure the distance between cabinet lighting fixtures does not exceed the linking cord length.

NOTE: The linking cord will only plug into one end correctly. Do not try to force it into the wrong receptacle as this could cause damage to the fixture.

NOTE: If the linking cable sags. Peel away the waxed paper on the cable clip and stick to the bottom of the under cabinet. Fasten the linking cord with the cable clip. (See Fig. 7)

Synchronous control:

When more than two lights are connected together in series, you can interact with the motion sensor control on any fixture in the series and the other lights will be controlled synchronously.

Function and Operation

Choose an option by sliding the switch on the surface of the sensor control. (See Fig.8).

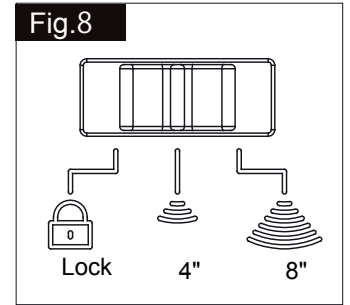
When the switch is set to "🔒", the sensor is deactivated.

When the switch is set to "🌀", the sensor 's active detection range is 4" below the fixture.

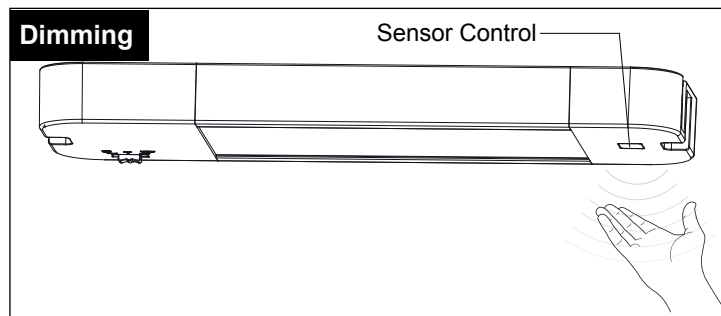
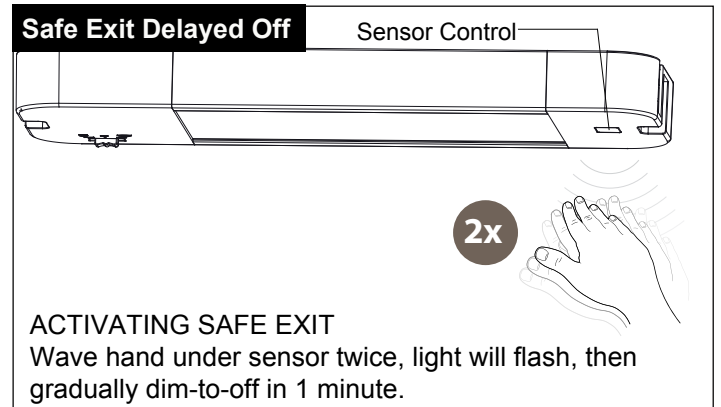
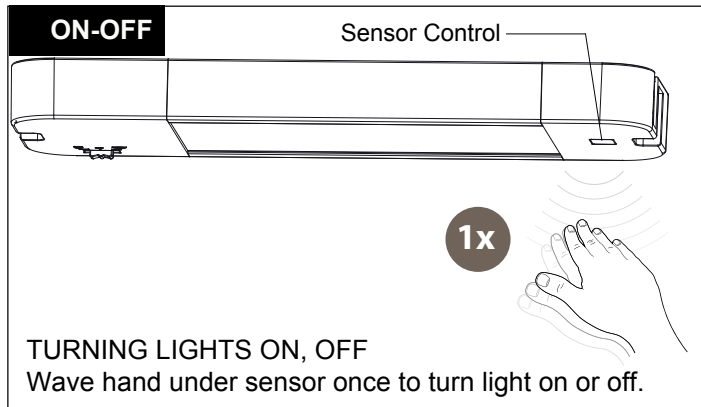
When the switch is set to "🌀🌀", the sensor 's active detection range is 8" below the fixture.

NOTE: This light fixture has a memory function.

*** If the fixture is switched off, it will return to the same level of brightness when switched on again.**



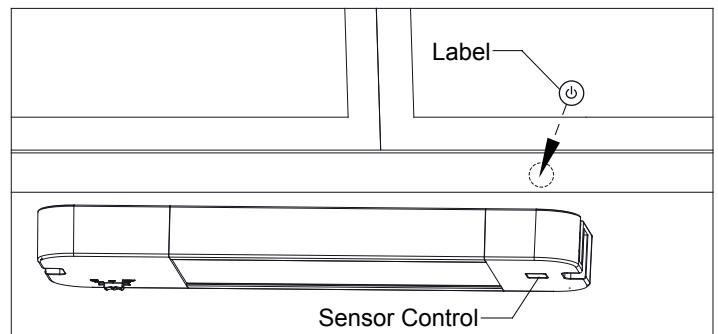
Operation



DIMMING LIGHTS
Hold hand under sensor to adjust brightness.

NOTE: Dimming ranges from 100% to 20% brightness.

Power Label: Hardware pack includes a "Power" label sticker. This can be applied to the cabinet surface above the IR detection area to serve as a reminder for motion sensor control location.



Cleaning instructions

Your fixture is made from quality materials that will last for many years with minimum care. When cleaning, make sure you have unplugged your fixture, and have allowed sufficient time for the unit to cool to room temperature. You should clean the housing and lens using a damp soft cloth. You should plug your fixture back in only after the fixture has thoroughly dried.

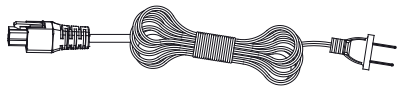
Trouble Shooting

Minor problems often can be fixed without the help of an electrician. Before doing any work on the fixture, shut off power supply at the circuit breaker panel to avoid electrical shock.


PROBLEM	POSSIBLE CAUSE	CORRECTIVE ACTION
Light will not come ON.	<ol style="list-style-type: none"> 1. Power is off. 2. Bad plug connection. 3. Switch is in Lock Mode with power off. 	<ol style="list-style-type: none"> 1. Check if power supply is on. 2. Check power cord. 3. Move switch to 4" or 8" sensor range.
Fuse blows or circuit breaker trips when light is turned on.	<ol style="list-style-type: none"> 1. Discontinue use. 	<ol style="list-style-type: none"> 1. Call customer service.
The light dims automatically.	<ol style="list-style-type: none"> 1. The sensor control points toward a reflective material. 	<ol style="list-style-type: none"> 1. Do NOT mount over water. 2. Minimum 12 inches distance from the counter to the light panel surface.

The following spare parts are available if damaged or missing.

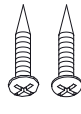
Contents of Spare Parts:




10' Power Cable



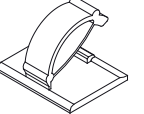
12" Link Cord



Dry Wall Screw



Switch Label



Cable Clip

5522MM 1SET for (X0035 / X0037 / X0039)
5523MM 1SET for (X0036 / X0038 / X0040)

5-YEAR LIMITED WARRANTY:

All products are warranted to be free of defects in material and workmanship for five (5) years from date of purchase. This warranty is limited to the correction of any such defect, or the replacement of any such defective item(s), provided that: (a) we are properly notified and consent to return of the item(s) in question; (b) the item(s) is / are returned with proof of purchase date; and (c) it is found upon inspection by us that the item(s) is / are defective as noted above. This warranty does not cover labor costs, consequential damages, nor does it apply to any item(s) that have been improperly installed, overloaded, altered, or otherwise abused by the customer, its agent(s) or employee(s). Finishes are specially excluded from the terms of this warranty since they are subject to environmental maintenance deemed beyond our control. Other than the described obligation, we assume no further liability with respect to the sale or use of our products. We make no warranty, express or implied, and disclaim any warranty of merchantability or fitness for a particular purpose.