

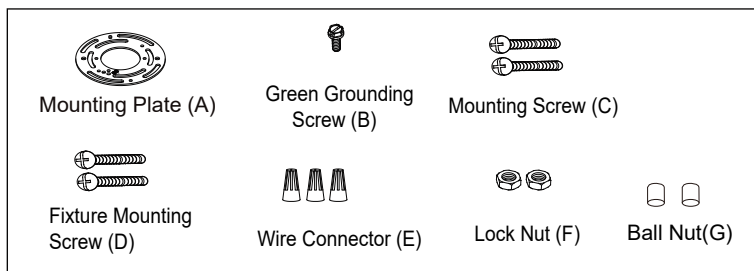
# ASSEMBLY AND INSTALLATION INSTRUCTIONS

C0205

**WARNING:** TO AVOID RISK OF ELECTRICAL SHOCK, BE SURE TO SHUT OFF POWER BEFORE INSTALLING OR SERVICING THIS FIXTURE.

**NOTES:** 1. Before installing, consult local electrical codes for wiring and grounding requirements.  
2. READ AND SAVE THIS INSTRUCTION.

## Hardware Package (included):

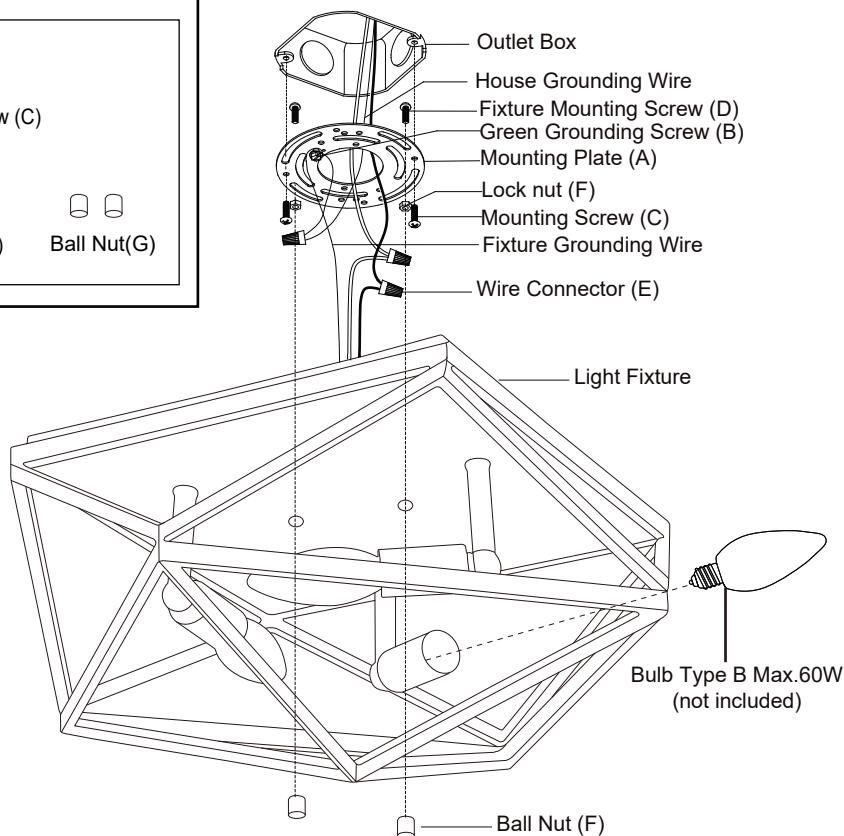


## Installation Steps

Turn off the power at fuse or circuit box.

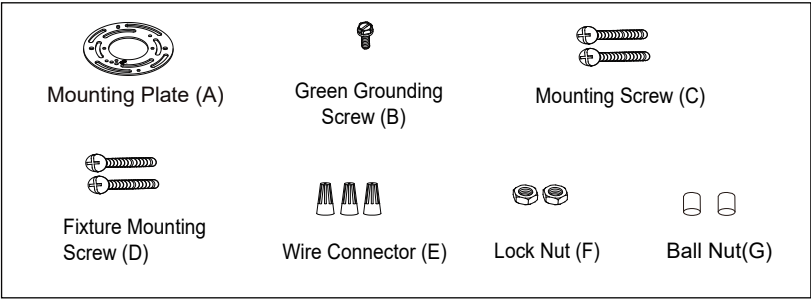
1. Thread the fixture mounting screws through mounting plate, and then secure them with two lock nuts. Adjust the length of fixture mounting screws if necessary.
2. Attach mounting plate to the outlet box using two mounting screws.
3. Pull out the outlet wires and the house grounding wire from the outlet box. Make wire connections using the wire connectors:
  - Connect the black wire from the fixture to the black wire from the power source.
  - Connect the white wire from the fixture to the white wire from the power source.
  - Attach the fixture grounding wire to the mounting plate with the green grounding screw. connect it to the house grounding wire with a wire connector.Then Carefully put the wires back into the outlet box.
4. Attach the canopy kit to the mounting plate by inserting the fixture mounting screws, and then secure it with two ball nuts.
5. Install three bulbs (not included). Check relamping label at socket area or packaging for maximum allowed wattage.

Turn on the power at fuse or circuit box.

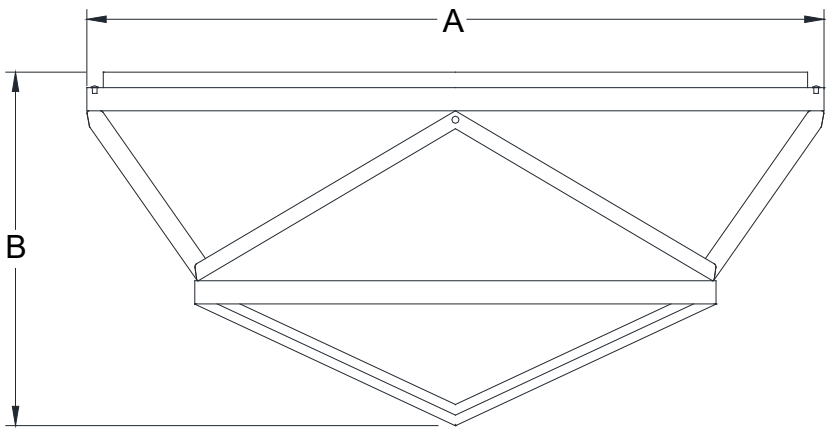


The following parts are available for re-order if damaged or missing.

**Spare Parts List:**



→ Mounting Hardware  
5982MM (1 SET)



A: 15"

B: 7-1/4"