

CHD1158

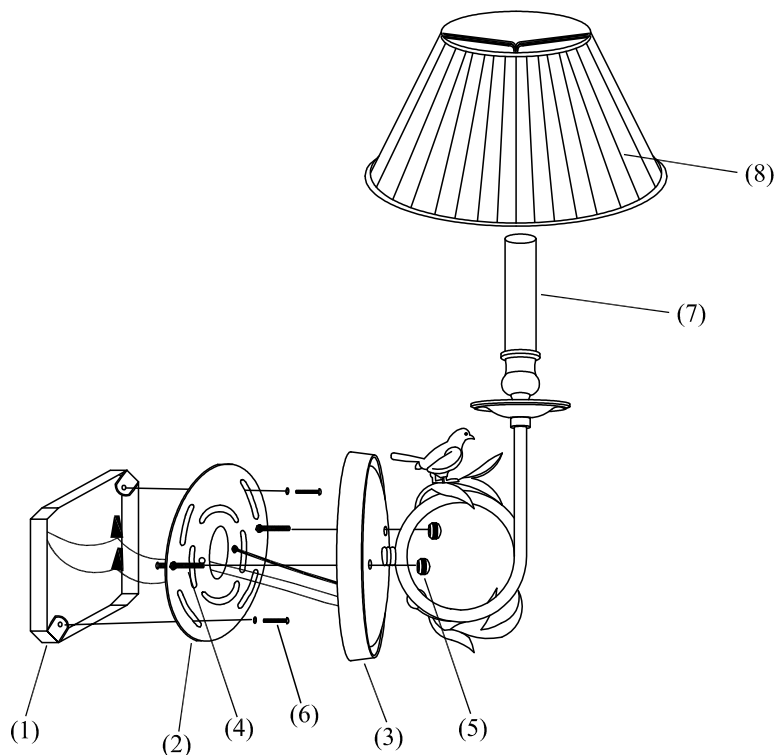
ASSEMBLY & INSTALLATION GUIDE

WE RECOMMEND INSTALLATION OF THIS LIGHTING FIXTURE BE DONE BY A LICENSED ELECTRICIAN.

WARNING * SWITCH OFF THE MAIN ELECTRICAL SUPPLY FROM THE MAIN FUSE BOX/CIRCUIT BREAKER BEFORE INSTALLATION.**

INSPECT ITEM CAREFULLY BEFORE ATTEMPTING TO INSTALL. IF THERE IS ANY DAMAGE OR OBVIOUS DEFECT, DO NOT INSTALL.

ITEM MAY NOT BE RETURNED ONCE IT HAS BEEN INSTALLED.



1. For safety purposes, do not affix the fabric shade before mounting to the wall.
2. To detach the mounting plate (2) and the rod (4) from the light fixture, screw off the decorative screw (5) in counter-clockwise direction.
3. Position the mounting plate (2) diagonally so that the holes of mounting plate (2) and the wall outlet (1) are aligned. Tighten the mounting plate onto the wall outlet by the two screws (6) provided (wrap in plastic and attached at the back of the light fixture).
4. To connect the wire, remove the plastic wire protector. Connect the ground wire(GREEN) to the green screw on the mounting plate(2),connect the neutral(WHITE)fixture wire to the neutral(WHITE) outlet wire, connect the hot(BLACK) fixture wire to the hot(BLACK)outlet wire. Fasten the neutral (WHITE) and hot (BLACK) connection separately with a plastic wire connector and tightly wrap each connector ends with electrical tape. Always make sure that no wire strands are left outside of the connectors. **DO NOT REVERSE THE HOT OR NEUTRAL CONNECTIONS OR SAFETY WILL BE COMPROMISED. IT IS IMPERATIVE THAT THE OUTLET BOX IN YOUR HOME BE PROPERLY GROUNDED.** Gently push the wiring back into the outlet box (1).
5. Gently push the base plate (3) onto the wall outlet (1), letting the rod (4) pass through the hole on the base plate (3).
6. Position the light fixture and tighten by screwing the decorative screw (5) to the expose part of rods in clockwise direction.
7. Insert light bulb into socket.
8. Attach lamp shade (8) to the light bulb.